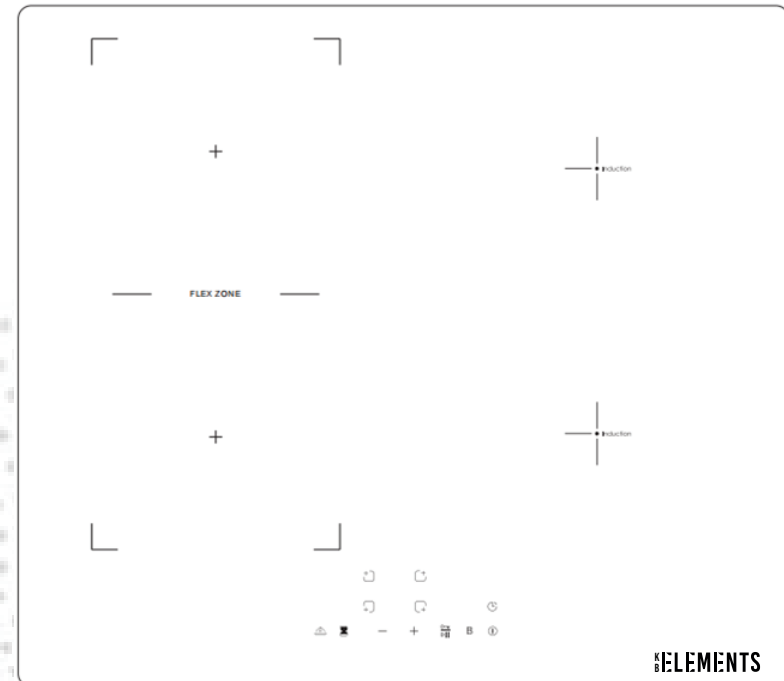


4 Hobs Induction Cooker

ELK60PB1

USER MANUAL



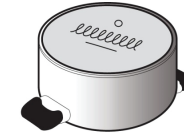
Our self-sufficient induction hob offers numerous advantages. The independence of each hob enables flexible and individual control of the cooking zones. This self-sufficiency makes it possible to prepare different dishes at different temperatures at the same time. In addition, the separate operation facilitates precise control of each hob.

Our self-sufficient induction hobs therefore offer an efficient and user-friendly solution for the kitchen, providing maximum flexibility and control over the cooking process.

Thank you for choosing KB ELEMENTS Products, please read carefully the instructions and precautions indicated in this Manual, and keep it for future reference.

BEFORE USE

IMPORTANT: The cooking zones will not switch on if pots are not the right size. Only use pots bearing the symbol "INDUCTION SYSTEM" (Figure below) or enameled pots. Place the pot on the required cooking zone before switching the hob on.



EXISTING POTS AND PANS

Use a magnet to check if the pot is suitable for the induction hob: pots and pans are unsuitable if not magnetically detectable.

-Make sure pots have a smooth bottom, otherwise they could scratch the hob. Check dishes.

-Never place hot pots or pans on the surface of the hob's control panel.

This could result a damage



-The bottom diameter of pots or pans should be at least 10cm.

SAFETY INSTRUCTIONS



This is the warning / caution-safety symbol, regarding safety, warning of potential risks to users and other.

- 1.The induction must be unplugged from the outlet before any installation operation.
- 2.Unplug the Induction Cooker from the outlet if you're not using it, and wait until it cools down in order to clean, dry and store.
- 3.Installation and maintenance must be made by a specialized technician, Incorrect assembly and improper use can present a risk of electric shock.
- 4.The usage of accessories or attachments that are NOT recommended by KB ELEMENTS may cause fire, electric shock or injury.
- 5.DO NOT USE if the cord or any other part of the appliance has been damaged or dropped, in order to avoid risk of electric shock. If you face any faults, please contact nearest KB ELEMENTS point of sales.
- 6.Do not use power strips or extension cords, as they may not be able to handle the power load of the induction.
- 7.For installation to comply with the current safety regulations, an omnipolar switch with minimum contact gap of 3mm is required.

8. NEVER pull on the cord; Hold the plug head and unplug it.
9. The electrical parts must not be accessible to the user after installation.
10. NEVER put the induction cooker and cable in water or any other liquid, to avoid electric shock.
11. The Induction cooker is for domestic indoor use only, DO NOT USE outdoors.
12. The induction and its accessible parts become hot during use, avoid touching heated elements.
13. Children less than 8 years old shall not use the induction without supervision.
14. Do not touch the induction heated elements during and after use.
15. DO NOT allow the induction cooker to touch wall coverings, clothing, or other flammable materials during use.
16. Be careful when moving utensils that contain food, water, oil, or other hot liquids.
17. DO NOT place: on or near an oven, gas cylinder, or electric oven, use it on a flat and heat-resistant surface.
18. This appliance can be used by children aged from 8 years and above and persons with reduced physical, sensory or mental capabilities or lack of experience and knowledge if they have been given supervision or instruction concerning use of the appliance in a safe way and understand hazards involved. Children shall not play with the appliance. Cleaning and user maintenance shall not be made by children without supervision.
19. An air switch or circuit breaker (not supplied) should be installed in the compartment under the appliance.
20. If the surface is cracked, switch off the appliance to avoid the possibility of electric shock.
21. The induction is not intended to be operated by an external timer or separate remote-control system.
22. Do not use steam cleaners.
23. Metallic objects such as knives, forks, spoons and lids should not be placed on the hob surface.

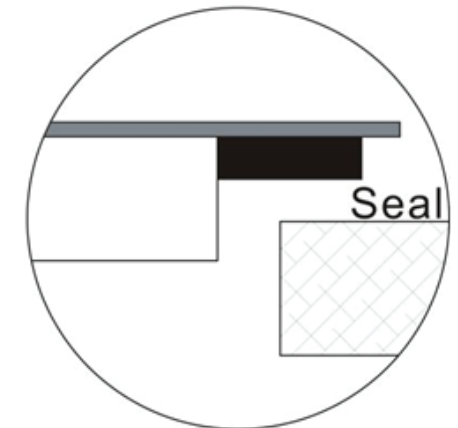
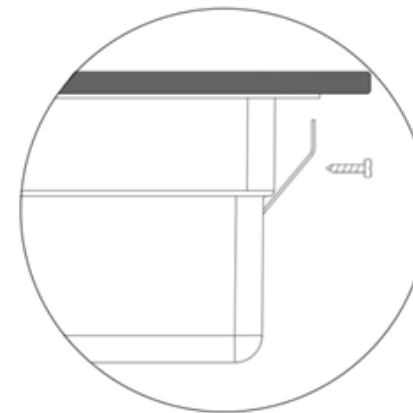
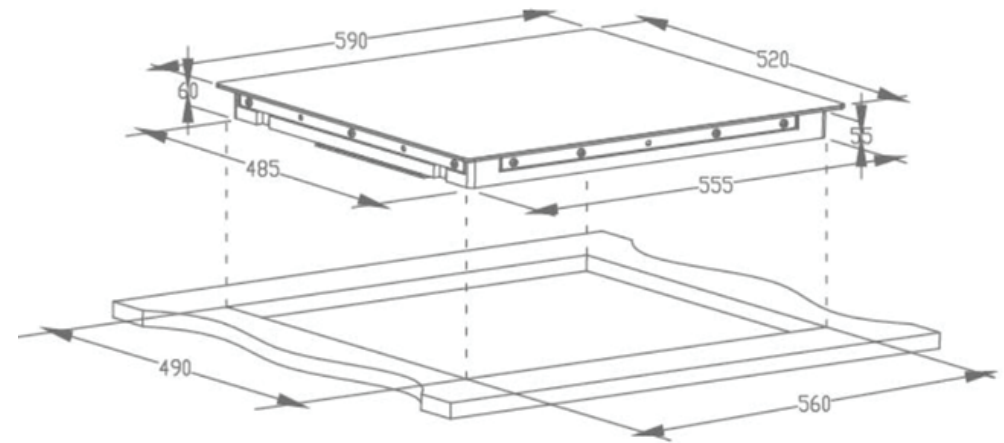


CAUTION! Surface remains hot after use! Do not touch the top plate right after removing the pot or the pan.

Technical Specifications

- Cooking Zones: 4 zones
- Rated Voltage: 220–240 V~ 50/60 Hz
- Rated Power: 3600 W
- Product Dimensions (D × W × H): 590 × 520 × 60 mm
- Built-in Dimensions (W × D): 560 × 490 mm
- Plug: E7 / Schuko plug
- Fuse: 16 Amps

INSTALLATION



Important Notice:

Under no circumstances should the cooking zone be inadequately ventilated; ensure that the air intake and outlet openings are not blocked. Make sure the cooktop functions properly, as shown in the installation plan.

Any defect or damage caused by incorrect installation will void the warranty and guarantee. We assume no liability for economic or personal damages resulting from improper installation. Installation must be carried out exclusively by qualified personnel.

Minimum Distances

To ensure safe operation, the electronics of the cooktop must be properly cooled. Therefore, all minimum distances must be observed during installation:

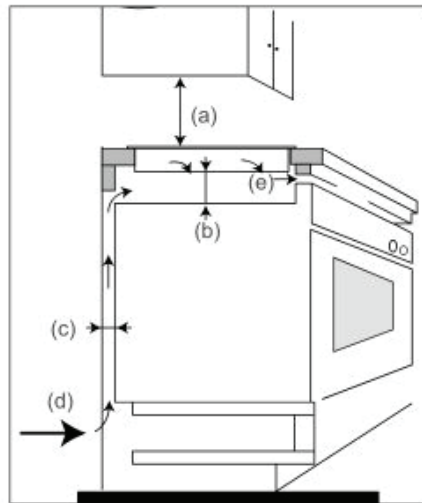
(a) The distance between the cooktop and the range hood must be:

- at least 600 mm for induction or electric cooktops
- at least 760 mm for gas cooktops

(b) For sufficient cooling, the cooktop must be separated from the rest of the cabinet or oven by a horizontal protective wooden plate, with a clearance of at least 50 mm between the cooktop bottom and the protective plate. Any existing side walls or drawer units must be cut out or removed accordingly.

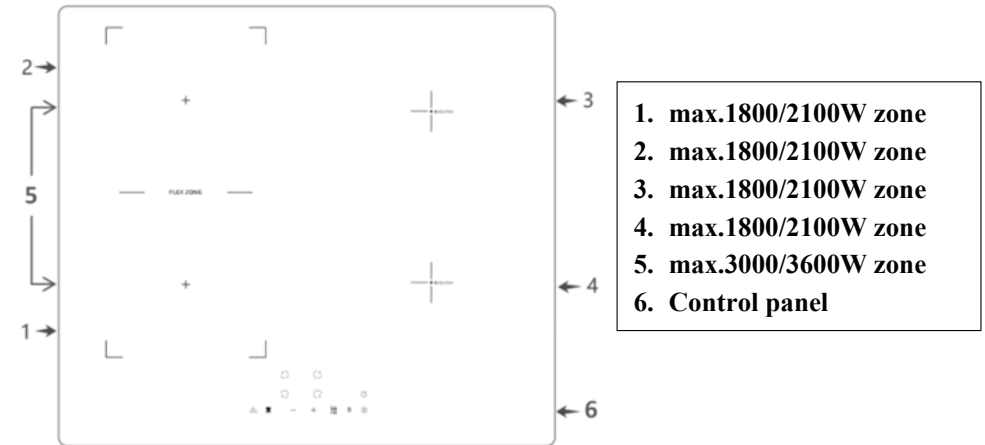
(c) The ventilation supply beneath the cooktop must be ensured by a clearance of at least 20 mm for cold air supply.

(e) At the front of the kitchen cabinet or oven, a clearance of at least 5 mm must be maintained.

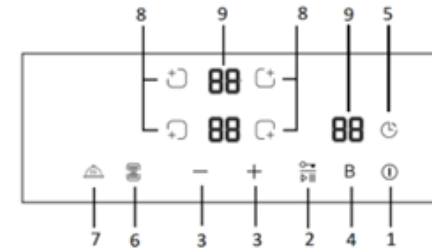


- (b) ≥ 50 mm
- (c) ≥ 20 mm
- (d) Lufteinlass

CONTROL PANEL LAYOUT



- 1. max.1800/2100W zone
- 2. max.1800/2100W zone
- 3. max.1800/2100W zone
- 4. max.1800/2100W zone
- 5. max.3000/3600W zone
- 6. Control panel



- 1. On/Off
- 2. Keylock/Pause Control
- 3. Select Power Level
- 4. Boost Function
- 5. Set Timer
- 6. Flexible Area Control
- 7. Keep Warm
- 8. Select Heating Zone
- 9. Indicators / Display Lights

STARTING TO COOK

After switching on the cooktop, a beep will sound, all indicators will light up for one second, and then turn off — the cooktop is now in standby mode.

1. Touch the Power On/Off button — all indicators will display “—”.
2. Place suitable cookware on the desired cooking zone. Ensure that both the cookware base and the cooking surface are clean and dry.
3. Touch the Cooking Zone Selection button — the corresponding indicator next to the button will start flashing.
4. Select a power level by touching the “+” or “-” buttons.

• If no power level is selected within 1 minute, the cooktop will switch off automatically.

Restart from step 1.

• You can adjust the power level at any time during cooking.

AFTER COOKING

1. Touch the Cooking Zone Selection button for the zone you want to switch off.
2. Turn off the cooking zone by setting the power level to “0” or by touching both the “-” and “+” buttons simultaneously. Make sure the display shows “0”.
3. Switch off the entire cooktop by touching the Power On/Off button.
4. Caution: Hot surface!

When the indicator “H” appears, the cooking zone is still too hot to touch.

The symbol will disappear once the surface has cooled down to a safe temperature.

You can also use the residual heat efficiently to keep food warm or continue heating dishes on the hot zone.

USING THE BOOST FUNCTION

Activating the Boost Function

1. Select the cooking zone for which you want to activate the Boost function — the indicator will start flashing.
2. Touch the “Boost” button — the display will show “P”.

Deactivating the Boost Function

1. Select the cooking zone where the Boost function is active.
2. Touch the “-” button to deactivate the Boost function, then select the desired power level.

Notes:

- The Boost function can be used on any cooking zone.
- After 5 minutes, the cooking zone automatically returns to the previous power level.
- If the original power level was 0, it will return to level 9 after 5 minutes.

USING THE CHILD LOCK (KEY LOCK)

- You can lock the control panel to prevent accidental operation (for example, if children accidentally turn on the cooktop).
- When the Child Lock is activated, all controls are disabled except for the Power On/Off button.

To activate the Child Lock:

1. Touch and hold the Lock button for 2 seconds.
2. “Lo” (Locked) will appear on the timer display.

To deactivate the Child Lock:

1. Make sure the cooktop is turned on.
2. Touch and hold the Lock button for 2 seconds.
3. The cooktop is now unlocked and ready for normal operation.

When the cooktop is in lock mode, all buttons except the Power On/Off button are disabled.

In case of emergency, you can always switch off the cooktop using the Power button.

Before the next use, you will need to unlock it again.

USING THE TIMER FUNCTION

The timer can be used in two ways:

• As a Minute Minder:

The timer counts down without turning off any cooking zone automatically.

• As an Automatic Shut-Off Timer:

One or more cooking zones switch off automatically when the set time has elapsed.

- The timer can be set for up to 99 minutes.

Using the Timer as a Minute Minder

1. The Minute Minder can only be set after selecting a power level for a cooking zone.
2. Touch the Timer button — “10” will appear and start blinking on the timer display.
3. Set the desired time using the “+” or “-” buttons.
4. After setting, the timer automatically starts counting down. The display shows the remaining time.
5. When the time expires, a beep will sound for 30 seconds, and the display will show “--”.

Tip:

- Touching the button once changes the time by 1 minute.
- Holding the button changes it by 10 minutes.

Using the Timer for Automatic Shut-Off

1. Touch the Cooking Zone Selection button for the zone you want to set a timer for — the indicator will blink.
2. Touch the Timer button — “10” will appear and start blinking on the display.
3. Set the desired time using “+” or “-”.
4. After setting, the countdown begins immediately, and the remaining time will be shown.

Note:

- A small red dot at the bottom right of the power display indicates which zone is currently selected.
- When the set time expires, the corresponding cooking zone will turn off automatically. Other active zones will remain on.

If Multiple Timers Are Set

- When several zones have active timers, red dots will appear next to those zones. The timer display always shows the shortest remaining time, and the corresponding zone indicator blinks.
- When one timer finishes, that zone switches off, and the display moves to the next active timer zone.

Note:

Touching the Cooking Zone Selection button shows the timer for that specific zone on the display.

Canceling the Timer

- Select the cooking zone whose timer you want to clear.
- Touch the Timer button – the display will blink.
- Touch “–” or both “–” and “+” simultaneously until “00” appears – the timer is now deactivated.

PAUSE FUNCTION

- You can pause the cooktop without switching it off completely.
- In pause mode, all controls except the Power On/Off button are disabled.

To activate the Pause Mode:

- Touch the Lock/Pause button.
- All displays will show “1 1”. After 1 minute, the cooktop will switch off automatically.

KEEP WARM FUNCTION**Activating the Keep Warm Function:**

- Select the desired cooking zone – the indicator next to the button will start blinking.
- Touch the Keep Warm button – the display will show the corresponding symbol for the Keep Warm function.

To exit the Pause Mode:

- Touch the Lock/Pause button again.
- The cooking zone will return to its previous power level.

— 1 Strich → 45 °C

== 2 Striche → 55 °C

=== 3 Striche → 65 °C

Deactivating the Keep Warm Function:

- Select the cooking zone – the indicator next to the button will blink.
- Touch “+” or “–” to exit the Keep Warm function, then select the desired power level.

Notes:

- The Keep Warm function can be used on any cooking zone.
- The function can maintain heat for up to 8 hours unless deactivated earlier.

USING THE FLEX ZONE

- This area can be used either as a single large zone or as two separate zones, depending on your cooking needs.
- The FLEX ZONE consists of two independent induction coils that can be controlled separately.

Using as a Large Cooking Zone

To activate the FLEX ZONE as one large cooking zone, touch the FLEX ZONE button.



The display will show the corresponding symbols.



Select the desired power level using the “–” or “+” buttons.

Recommended Use as a Large Zone:

- Suitable cookware: Diameter 250mm or 280mm
- Suitable shape: round, oval, or square pots/pans are acceptable
- Note: Ensure that the pot has a minimum diameter of 14cm.

AUTOMATIC SHUT-OFF SAFETY FUNCTION

The automatic shut-off is a safety feature of your induction cooktop. It activates if a cooking zone is accidentally left on.

Standard Shut-Off Times by Power Level:

Power Level – Operating Time

- Power Level 1 – 8 hours
- Power Level 2 – 8 hours
- Power Level 3 – 8 hours
- Power Level 4 – 4 hours
- Power Level 5 – 4 hours
- Power Level 6 – 4 hours
- Power Level 7 – 2 hours
- Power Level 8 – 2 hours
- Power Level 9 – 2 hours

Note: If the pot is removed, the cooking zone stops heating immediately, and the cooktop will automatically switch off after 1 minute.

Residual Heat

If the cooktop has been in operation for an extended period, residual heat remains. The symbol “H” indicates that the cooking zone is still hot and warns against touching it.

TROUBLESHOOTING

Problem	Possible Cause	What to Do
The cooktop cannot be turned on.	No power.	Ensure the cooktop is connected to the power supply and switched on. Check for a power outage in your home or area. If the problem persists, call a qualified technician.
The touch controls do not respond.	Controls are locked.	Unlock the controls. See the section “Using the Cooktop.”
The touch controls are difficult to operate.	There may be a thin layer of water on the controls, or you are using the fingertip instead of the pad of your finger.	Make sure the control surface is dry, and use the pad of your finger to operate the controls.
The glass gets scratched.	Cookware with rough edges; unsuitable, abrasive scouring pads or cleaning products are used.	Use cookware with flat, smooth bottoms. See the section “Selecting Cookware.” Also see “Maintenance and Cleaning.”
Some pots make crackling or clicking noises.	The construction of the cookware (different metal layers vibrate differently).	This is normal and does not indicate a defect.
The induction cooktop emits a low humming at high heat.	Caused by the induction technology.	This is normal; the noise decreases or disappears if you lower the power level.
Fan noises come from the cooktop.	The built-in fan runs to protect the electronics from overheating.	This is normal and requires no action. Do not switch off the cooktop at the wall while the fan is running.
Pots do not get hot and the cooktop shows “–”.	Cookware is not suitable for induction, too small, or not centered on the cooking zone.	Use suitable induction cookware. See the section “Selecting Cookware.” Center the pot and ensure the bottom matches the size of the cooking zone.
The cooktop or a cooking zone turns off unexpectedly, a signal sounds, or an error code is displayed.	Technical fault.	Note the error letters and numbers, switch off the cooktop at the wall, and contact a qualified technician.

ERROR DISPLAY AND INSPECTION

If an anomaly occurs, the induction cooktop automatically enters protection mode and displays the corresponding error codes:

Error Code	Possible Cause	What to Do
No pot or unsuitable cookware	Cookware is not suitable	Replace the pot
F7 / F8	Abnormal supply voltage	Check if the power supply is normal. Switch the cooktop back on after the power supply is stabilized.
F4 / F5	IGBT temperature sensor defective	Contact KB-ELEMENTS Service
F1 / F2 / Fb	Temperature sensor defective	Contact KB-ELEMENTS Service
F3 / F6 / FA	Poor heat dissipation of the cooktop	Restart after the cooktop has cooled down
F0	PCBA communication error	Contact KB-ELEMENTS Service

The above points are assessments and checks for common errors.
Do not attempt to disassemble the appliance yourself to avoid hazards and damage to the induction cooktop.

To know more about this product, please visit our youtube channel

