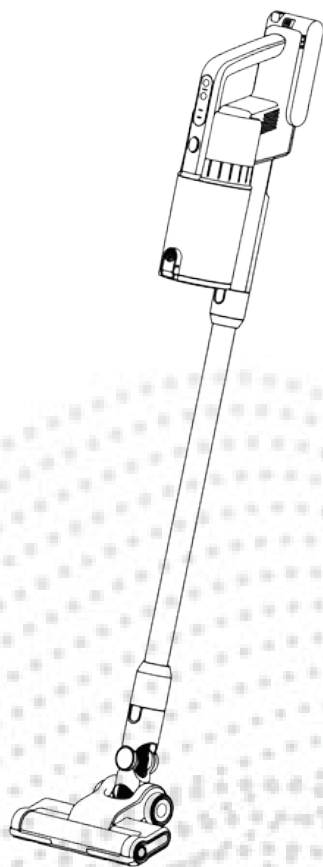


K B ELEMENTS



ELK221VG-ELK221VW

Cordless Multifunction vacuum cleaner

USER MANUAL

Please read this manual carefully and retain for future references.

IMPORTANT SAFETY INSTRUCTIONS

Safety Precautions for Electrical Appliance Use

WARNING:

1. Do not use the appliance outdoors, on wet surfaces, or on uneven floors such as cobblestone. Use only on smooth surfaces like tile or wood floors.
2. Do not allow the appliance to be used as a toy. Close attention is necessary when used by or near children.
3. Use the appliance only as described in this manual. Use only the manufacturer's recommended attachments.
4. Do not use the vacuum if it has been dropped, damaged, left outdoors, or dropped in water.
5. Do not handle the plug or appliance with wet hands.
6. Do not insert any objects into openings. Do not use if any openings are blocked.
7. Keep hair, loose clothing, fingers, and all body parts away from openings and moving parts.
8. Do not use the appliance to pick up anything that is burning or smoking, such as cigarettes, matches, or hot ashes.
9. Do not use the appliance to pick up flammable or combustible liquids such as gasoline, or use it in areas where these may be present.
10. Do not use the appliance to pick up agglomerate materials such as lime, cement, bits of wood, gypsum powder, ashes, or carbon powder.
11. Do not use the appliance to pick up sharp or hard objects, small toys, pins, paper clips, etc., to avoid damage to the vacuum cleaner and the floor.
12. Do not use the appliance to pick up chemicals such as solvents, descalers, acidic materials, or detergents.
13. Do not use the appliance to pick up construction waste, such as dust or debris.
14. Follow all label and marking instructions on the vacuum.
15. Keep the end of the hose, wands, and other openings away from your face and body. Do not use the vacuum cleaner without the dust cup filter in place.
16. Always unplug the appliance before connecting or disconnecting the vacuum hose. Store the vacuum indoors. Put the vacuum away after use to prevent tripping accidents.
17. Do not use the appliance for any purpose other than described in this user guide.
18. If the supply cord is damaged, it must be replaced by the manufacturer, its service agent, or similarly qualified persons to avoid a hazard.
19. Before vacuuming high-polish floors (wood or polished tile), check the floor brush (especially the brush head) for foreign matter to avoid scratching the floor.
20. The appliance is not to be used by persons with reduced physical, sensory, or mental capabilities, or lack of experience and knowledge, unless they have been given supervision or instruction. Ensure children are supervised to prevent them from playing with the appliance.
21. The appliance is only to be used with the power supply unit provided with the appliance.
22. Remove the plug from the socket-outlet before cleaning or maintaining the appliance.

TECHNICAL SPECIFICATIONS

Model No.	ELK221VG/VW	Dust Cup Capacity	1.2L
Battery Capacity	2500mAh	Rated Voltage	25.9V
Rated Power	400W	Adapter Voltage	100-240V 50/60Hz
Product N.W.	1.6 Kg	Charging Voltage & Current	25.9V
Suction	≥38kPa	Charging Time	4.5 H

BEFORE USING THE HANDHELD VACUUM CLEANER:

1. Ensure the dust cup is securely installed.
2. Verify the battery pack is correctly in place.

Operating Instructions:

- Do not block the exhaust port while vacuuming.
- For fine dust, such as flour, use the vacuum cleaner only when the amount is small.
- Be careful when cleaning stairs, windows, or other potentially hazardous areas to ensure personal safety.
- Avoid placing the vacuum cleaner on high surfaces like tables and chairs or leaning it against other objects to prevent damage from slipping or overturning.
- Note that using the floor brush on waxed floors may cause uneven surface gloss. To maintain floor quality, wipe with a damp cloth and polish with floor wax.

Preparation:

- Before use, ensure the cleaning area is free from large pieces of paper, paper balls, plastic sheets, sharp objects, or items with a larger diameter than the vacuum tube to prevent blockage.

Maintenance and Troubleshooting:

- If the motor temperature is high, if there is leakage, abnormal sounds, unusual smells, or weak suction, stop using the vacuum cleaner immediately.
- Regularly check the dust cup. If it contains a significant amount of debris, clean it promptly to keep the ventilation opening clear, preventing clogs that can cause suction loss, motor overheating, and reduced vacuum cleaner lifespan.
- Inspect the aluminum alloy pipe regularly for blockages. Clear any obstructions to maintain optimal suction power and machine performance.
- Do not use lubricants, detergents, or polishes when cleaning the vacuum cleaner.

General Care:

Follow these guidelines to ensure your handheld vacuum cleaner remains in excellent working condition and delivers optimal performance.

USER'S GUIDE:

- When the vacuum cleaner power is low, it will take approximately 4.5 hours to achieve a full charge. It is advisable to fully charge it before initial use.
- Do not operate the vacuum cleaner while it is charging.
- To prevent clogging, it is recommended to clean the HEPA filter regularly and replace it every 3-6 months.
- If any issues arise during use, do not attempt to repair the machine independently. Please contact the customer service center for assistance.

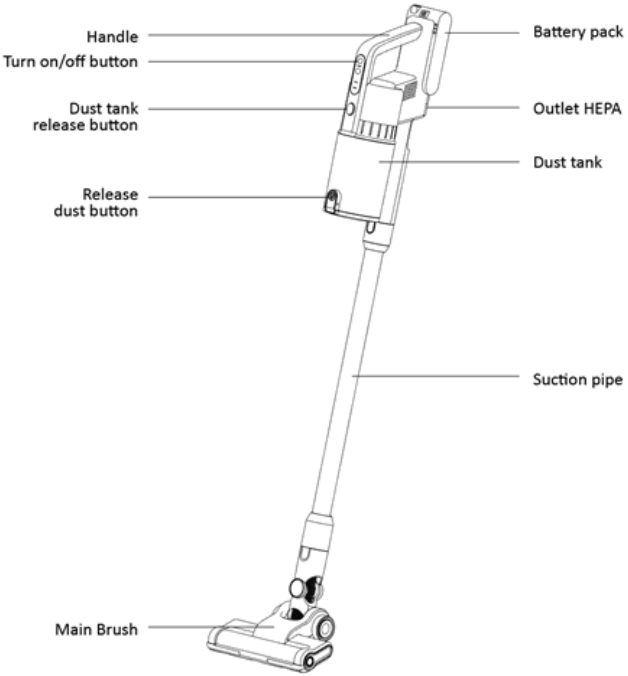
CLEANING TIPS:

- Avoid washing the HEPA filter; only clean the accumulated dust inside.
- Ensure the dust cup, HEPA filter, and floor brush are fully dry before reuse to prevent damage to the machine.

BATTERY PACK AND ADAPTER MAINTENANCE AND REPLACEMENT:

- In the event of battery leakage, avoid contact with the leaking liquid. If contact occurs, immediately rinse with clean water and seek medical attention.
- Only use the provided battery pack, adapter, and charging base with the vacuum cleaner.
- Do not disassemble, repair, or modify the battery pack, adapter, or charging base independently. Please contact customer service for assistance.
- Avoid installing the wall rack and charging base in hot or wet environments.
- Do not clean the adapter or charging base with a damp cloth or wet hands. Dispose of disused batteries properly; do not dispose of them in fire or water.
- If the product will not be used for an extended period, unplug the power adapter after fully charging and store it in a cool, dry place. Charge it at least every 3 months to prevent battery over-discharge.
- If the battery pack requires replacement, please contact customer service for assistance. Do not repurpose the battery pack for other uses.
- If the power adapter cord is damaged, please contact customer service for maintenance.
- These guidelines ensure the safe and optimal performance of your vacuum cleaner.

KNOW YOUR VACUUM CLEANER



Battery Pack



Crevice Tool



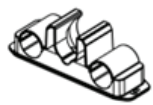
Suction Pipe



2 in 1 Crevice Nozzle



Main Brush



Wall Bracket



Charger

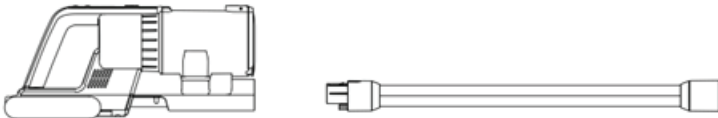
STEP 1: BATTERY INSTALLATION

Gently slide the battery into the designated compartment of the machine. Ensure smooth and gentle insertion to avoid any damage. This step is crucial for the device's proper functioning.

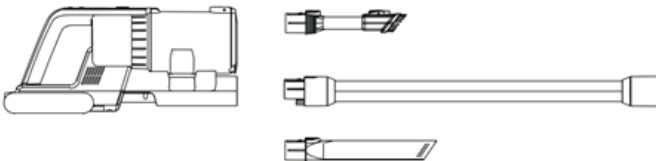


STEP 2: PROPER TUBE INSTALLATION

As shown in the accompanying figure, carefully insert the tube into the designated port, ensuring a snug and secure fit. Verify that the tube is firmly installed in its position to guarantee optimal performance and functionality.



Step 3: Before commencing assembly, ensure you have all the necessary components and tools at hand. Verify that the area is well-lit and free from any obstructions. Refer to the accompanying figure to identify the various accessories required for assembly. Familiarize yourself with each component to facilitate a smooth assembly process.



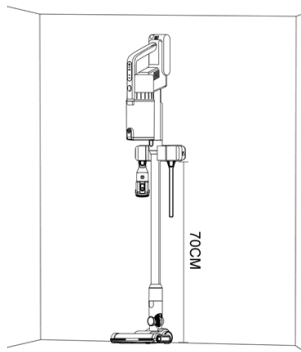
Insert the floor brush into the connecting port according to the direction shown in the figure, and ensure a secure installation by firmly positioning it in place.

Crevice Nozzle Usage Guide

The crevice nozzle is engineered to efficiently clean keyboards, desktops, cabinets, lamps, and various other furniture pieces. It can be utilized either with the aluminum alloy tube or directly assembled to the main body for added convenience.

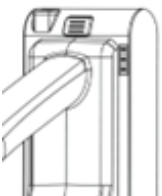
Mounting Bracket Installation

- 1. Prepare the Surface:** Remove the protective layer from the adhesive tape located at the back of the support. Position the lower edge approximately 70cm above the ground on a smooth, clean, and unobstructed wall surface. Make sure the adhesive sticks firmly to the wall. Alternatively, use two screws to securely fasten the bracket in place.
- 2. Inserting the Machine:** Gently slide the cleaning machine into the bracket from bottom to top. Avoid pushing too hard. To remove the machine, lift it upwards from the bottom. Avoid pulling directly, as it may cause damage.
- 3. Inserting Attachments:** Place the crevice tool and the 2-in-1 Nozzle into their respective slots on the bracket for easy storage and access.
- 4. Attention:** If you're using double-sided adhesive tape to secure the bracket, avoid placing any objects on the shelves for at least 24 hours after installation. This prevents the risk of shelves detaching from the wall due to insufficient adhesive bonding.



Operation

Before powering on the machine, it's important to check the battery status thoroughly. If the battery level is low, it's highly recommended to recharge the device before use. For the best performance and prolonged battery life, the initial charging duration should be at least 4.5 hours. This extended charging period ensures the battery reaches its maximum capacity, enhancing the overall efficiency and effectiveness of the device. Please follow these guidelines closely to ensure the smooth functioning of the machine and to maintain its longevity.



Operation Instructions

To start the machine, simply press the ON/OFF button located on the control panel.

Once activated, the machine will begin its operation.

Shutdown Procedure

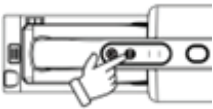
To stop operation, press the ON/OFF button again.

This will promptly deactivate the machine, bringing it to a standstill.

Switch between high and low end

MAX Speed Adjustment Manual

The MAX Speed Adjustment feature provides unparalleled convenience and control over speed settings. With just a press of a button, effortlessly transition between low and high speeds, offering optimal flexibility to suit your specific needs.



The MAX Speed Adjustment feature provides unparalleled convenience and control over speed settings. With just a press of a button, effortlessly transition between low and high speeds, offering optimal flexibility to suit your specific needs.

Charging Instructions

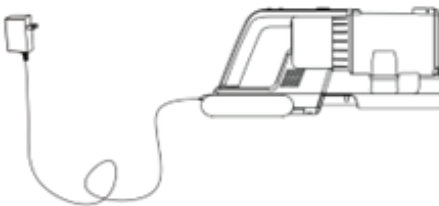
To begin charging, find the charging connection located on the top of the device's main body.

Carefully attach the provided adapter to the designated port. Once securely connected, plug the adapter into a power source.

Upon successful connection, the charging process will commence automatically.

Maintain a stable power supply throughout the charging duration for optimal results.

Thank you for choosing our product. For further assistance, refer to the comprehensive user manual or contact our dedicated customer support team.



Important Reminders

- **Exclusive Adapter Usage:** Please utilize only the provided adapter to power the vacuum cleaner. The use of any other adapter is strictly prohibited and may compromise product functionality.
- **Handle with Care:** Avoid subjecting the power adapter to forceful impacts to prevent damage, which could affect product performance.
- **Storage Precautions:** Store the power adapter in a dry and clean environment to prevent exposure to moisture or liquids, which could lead to electrical hazards potential malfunction.
- **Optimal Charging Conditions:** Ensure the power adapter is placed in a well-ventilated and cool area during charging. Avoid exposure to temperatures exceeding 50 degrees Celsius, direct sunlight, or proximity to heat sources and flammable materials.
- **Maintenance Protocol:** If the power adapter cord is damaged, contact the customer service team promptly for professional assistance and maintenance.

Cleaning and Maintenance Instructions

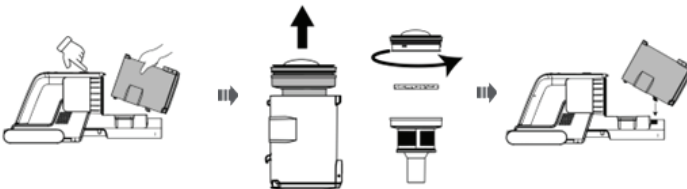
One-Touch Dust Emptying Cleaning your cordless multifunction vacuum cleaner is effortless with these simple steps:

1. **Power Off:** Ensure the machine is turned off before proceeding.
2. **Detach Main Unit:** Remove the main machine from its docking station.
3. **Release Button:** Press the release button to unlock and open the bottom compartment.
4. **Empty Dust Cup:** Dispose of accumulated dust and debris from the dust cup.
5. **Reassemble:** Once emptied, reinstall the dust cup securely, ensuring proper alignment for uninterrupted functionality.

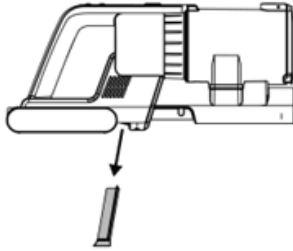
Disassembly and Cleaning To maintain optimal performance, periodic cleaning of the filtration system is essential. Follow these meticulous steps:

1. **Dust Tank Removal:** Press the dust tank release button to detach the dust tank from the main unit.
2. **Filter Extraction:** Remove the inner filter for thorough cleaning, as illustrated below.
3. **HEPA and Sponge Cleaning:** Rotate the HEPA stander clockwise to access and remove the HEPA and sponge components. Clean them meticulously to remove any accumulated dirt or debris. Reverse the operation to restore them to their original positions.
4. **Dust Tank Installation:** When reassembling, ensure precise alignment of the lock mechanism before firmly pressing the front end of the dust tank into place. This guarantees a secure fit and optimal performance.

By adhering to these meticulous cleaning and maintenance procedures, you ensure the longevity and efficiency of your device, maintaining its peak performance for years to come.



Remove the outlet HEPA, clean up the dust, then reinstall the machine.



Electric Floor Brush Cleaning Instructions:

Turning Off and Removing the Floor Brush Head:

1. Ensure the machine is switched off.
2. Remove the floor brush head by following these steps:
 - a. Locate the bottom lock arrow.
 - b. Pull the floor brush head in the direction indicated by the arrow to detach it.
3. To restore the floor brush head, simply reverse the operation

Cleaning the Parts:

1. HEPA Filter:
 - The HEPA filter is not washable. Instead, lightly tap it to remove any dust or debris.
2. Dust Cup, Filter, and Hard Floor Brusher:
 - These components can be washed with water.
 - Ensure thorough drying before reassembling and using them.

These instructions are designed to ensure the optimal functionality and cleanliness of your electric floor brush. If you encounter any issues or need further assistance, please refer to the user manual or reach out to our customer support team.

We appreciate your attention to detail in following these cleaning procedures.

TROUBLESHOOTING:

Problem	Reason	Solution
Vaccum not Working	<ul style="list-style-type: none"> . The battery power is off. .The filter and suction head are blocked. 	<ul style="list-style-type: none"> . Please charge the device fully before initial use.Please charge it before use. . Please clean the filter and suction head thoroughly before each use
Suction Reduced	<ul style="list-style-type: none"> . The dust container is full and the filter element is blocked. .Aluminum alloy tube or transfer pipe is blocked. 	<ul style="list-style-type: none"> . Use after cleaning the dust cup and filter. .Continue to use after removing the inner stuff. If problem persists, please contact customer service.
Short Run Time	<ul style="list-style-type: none"> . Not charged completely 	<ul style="list-style-type: none"> . Recharge the battery pack.
The electric brush head does not rotate	<ul style="list-style-type: none"> .The electrical is brush head blocked by hair. . The conductive contacts of the electric brush head are blocked. 	<ul style="list-style-type: none"> .Remove hair from the electric brush head. . Wipe the contacts with a soft dry cloth and try again. If the device does not function properly, restart or turn off the machine.
The battery LED light flashing	<ul style="list-style-type: none"> .The battery is low. . Battery temperature protection. 	<ul style="list-style-type: none"> . Please charge it before use. . Allow the battery to cool down to room temperature.



www.kbelements.de